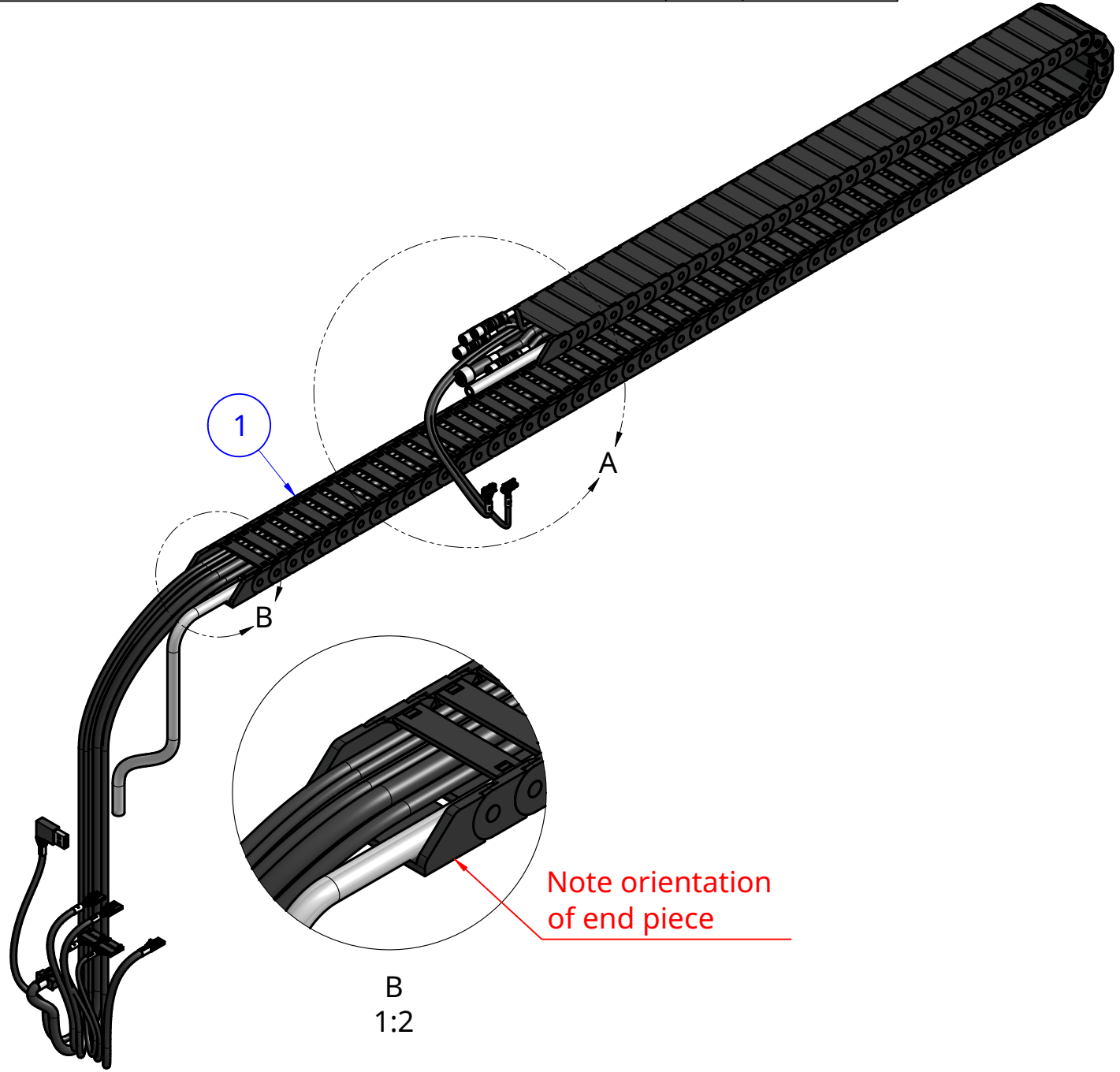
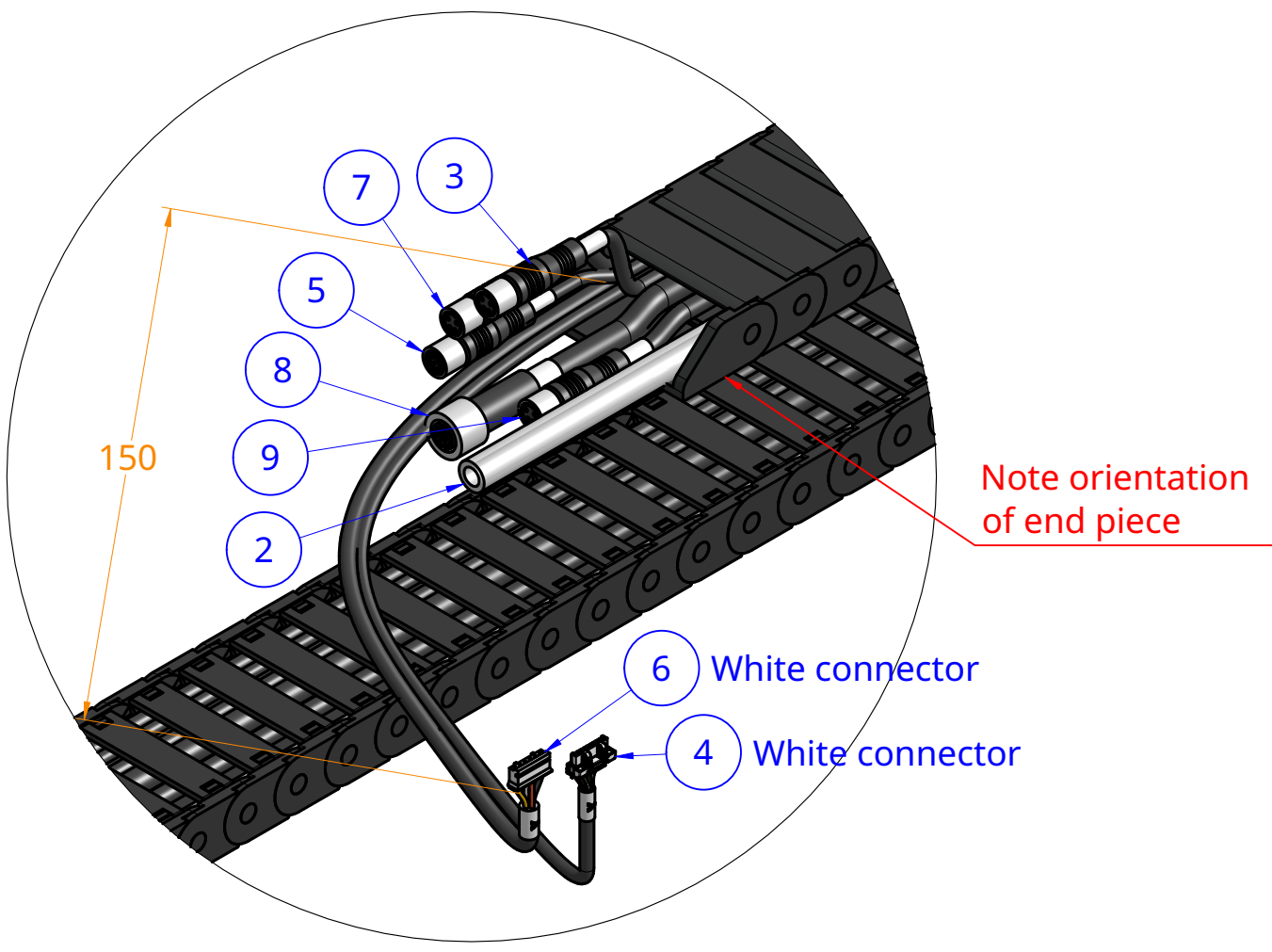


Item	Internal Part Name	Rev	Quantity
1	Cable Carrier - 15 x 50 x 1700mm (85 links + end pieces in Y configuration)		1
2	6 x 10mm Tube - 2.1m (Water, Y-axis, Genesis)		1
3	Camera Cable - 2.6m (Genesis)	C	1
4	Encoder Cable - Y, 2.7m (Genesis)	A	1
5	Encoder Cable - ZY, 2.6m (Genesis)	A	1
6	Motor Cable - Y, 2.7m (Genesis)	A	1
7	Motor Cable - ZY, 2.6m (Genesis)	A	1
8	UTM Cable, Y-Axis Section - 2.6m (Genesis)	A	1
9	Vacuum Pump Cable - Y, 2.6m (Genesis)	C	1



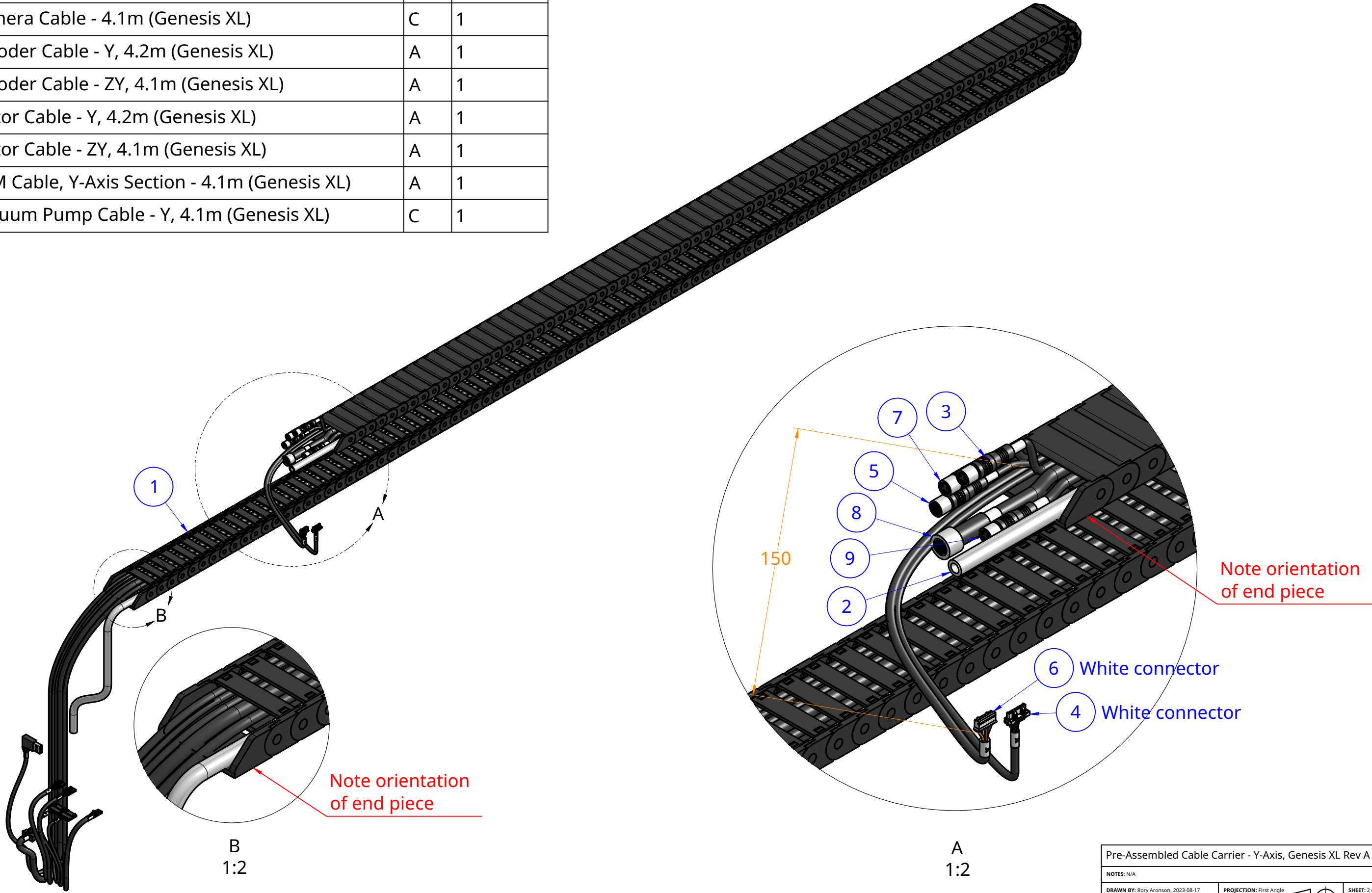
B
1:2



A
1:2

Pre-Assembled Cable Carrier - Y-Axis, Genesis Rev A			
NOTES: N/A			
DRAWN BY: Rory Aronson, 2023-08-17	PROJECTION: First Angle		SHEET: 1 of 2
COMPANY: FarmBot Inc	UNITS: Millimeters		SIZE: A3
LICENSE: CC0 Public Domain Dedication	SCALE: 1:5		

Item	Internal Part Name	Rev	Quantity
1	Cable Carrier - 15 x 50 x 3200mm (160 links + end pieces in Y configuration)		1
2	6 x 10mm Tube - 3.6m (Water, Y-Axis Genesis XL)		1
3	Camera Cable - 4.1m (Genesis XL)	C	1
4	Encoder Cable - Y, 4.2m (Genesis XL)	A	1
5	Encoder Cable - ZY, 4.1m (Genesis XL)	A	1
6	Motor Cable - Y, 4.2m (Genesis XL)	A	1
7	Motor Cable - ZY, 4.1m (Genesis XL)	A	1
8	UTM Cable, Y-Axis Section - 4.1m (Genesis XL)	A	1
9	Vacuum Pump Cable - Y, 4.1m (Genesis XL)	C	1



Pre-Assembled Cable Carrier - Y-Axis, Genesis XL Rev A

NOTES: N/A

DRAWN BY: Rory Aronson, 2023-08-17
 COMPANY: FarmBot Inc
 LICENSE: CC0 Public Domain Dedication

PROJECTION: First Angle
 UNITS: Millimeters
 SCALE: 1:5

SHEET: 2 of 2
 SIZE: A3