

Pre-Assembled Cross-Slide Rev A			
NOTES:			
DRAWN BY: Rory, 2023-08-09	PROJECTION: First Angle		SHEET: 1 of 3
COMPANY: FarmBot Inc	UNITS: Millimeters		SIZE: A3
LICENSE: CC0 Public Domain Dedication	SCALE: 1:2		

1 2 3 4 5 6 7 8 9 10

A

A

B

B

C

C

D

D

E

E

F

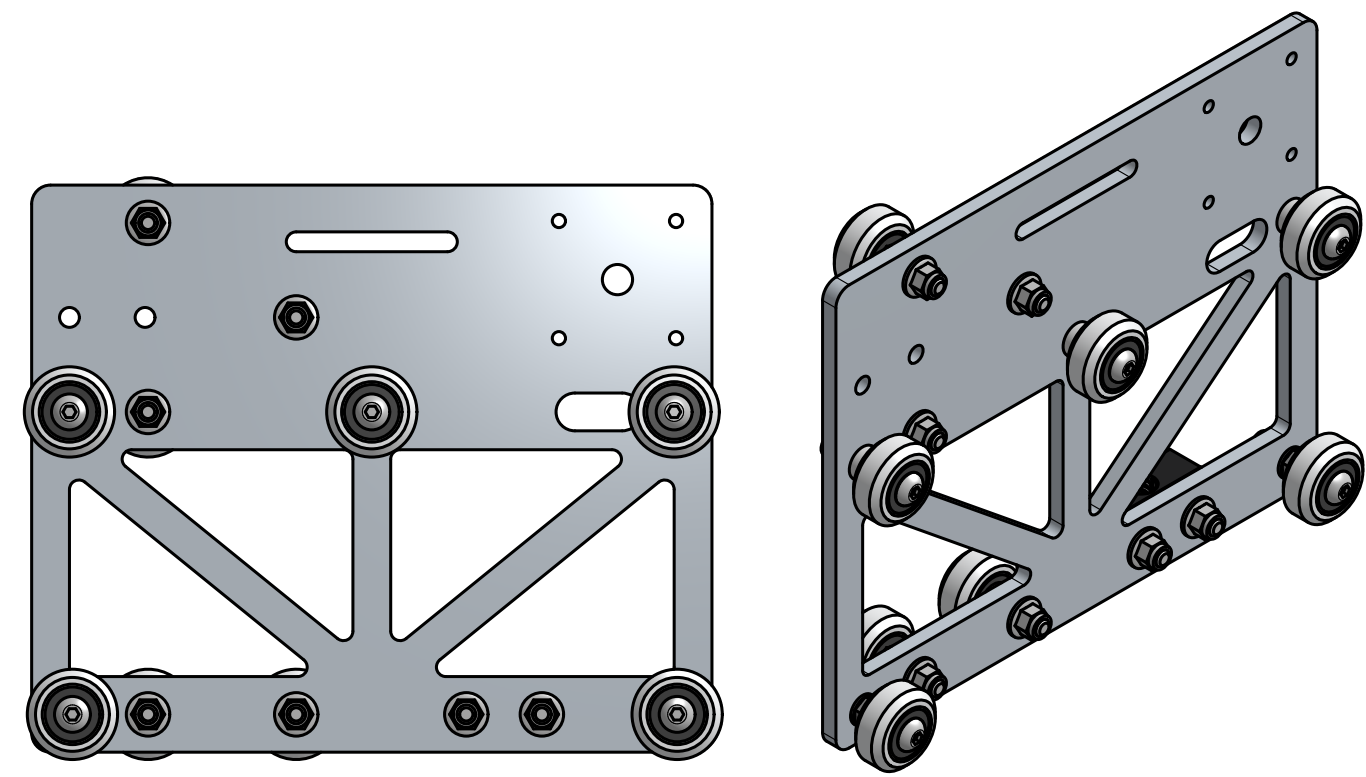
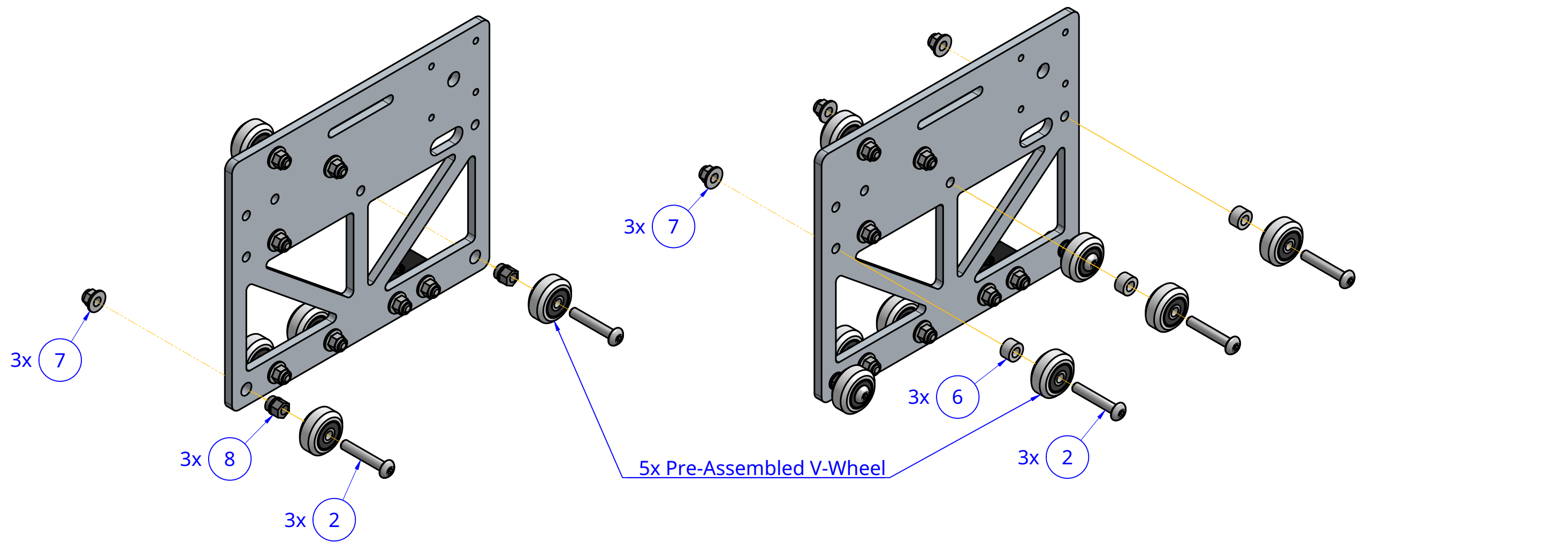
F

G

G

H

H

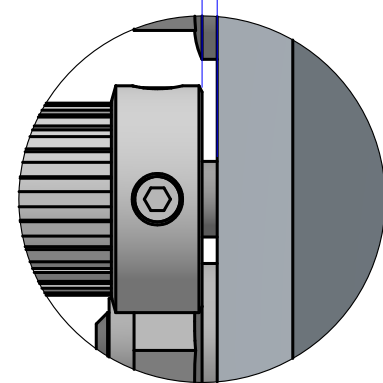
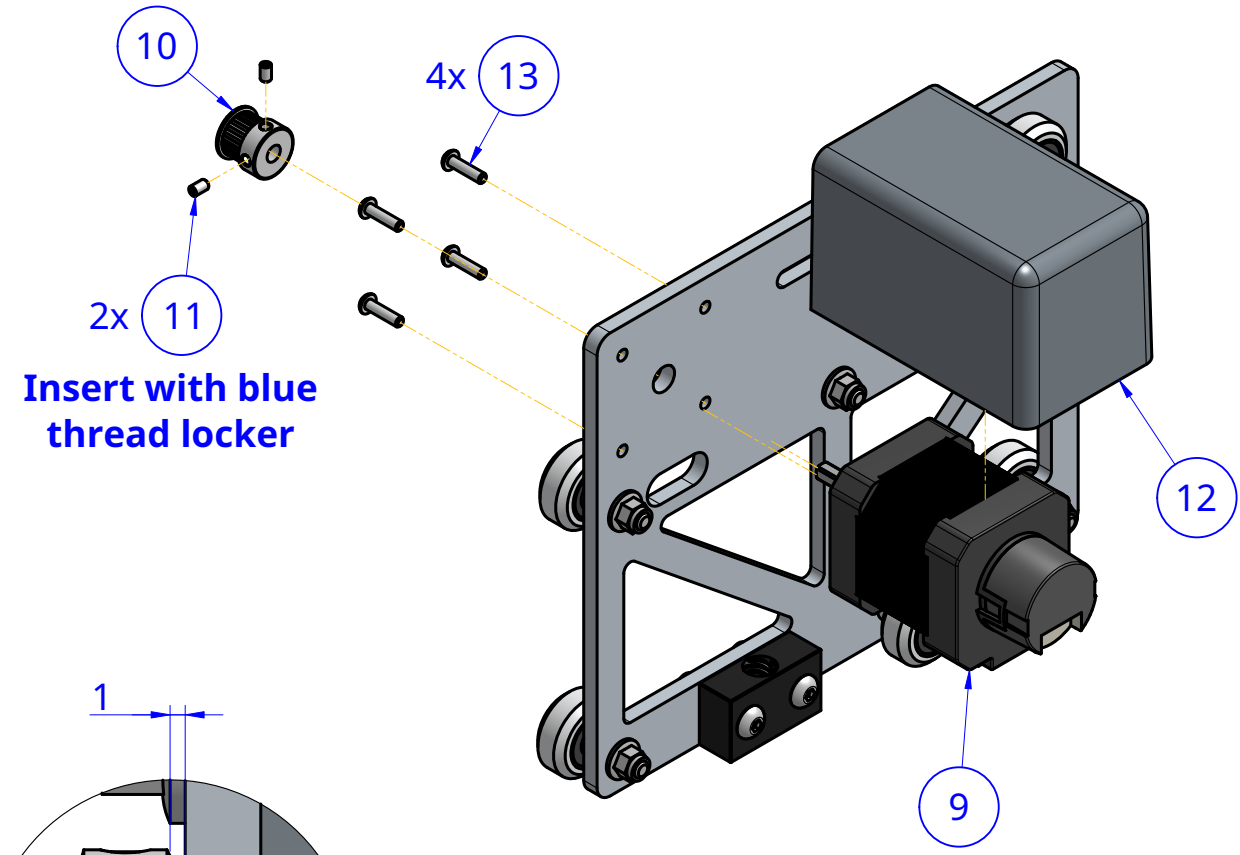


Pre-Assembled Cross-Slide Rev A			
NOTES:			
DRAWN BY: Rory, 2023-08-09	PROJECTION: First Angle		SHEET: 2 of 3
COMPANY: FarmBot Inc	UNITS: Millimeters		SIZE: A3
LICENSE: CC0 Public Domain Dedication	SCALE: 1:2		

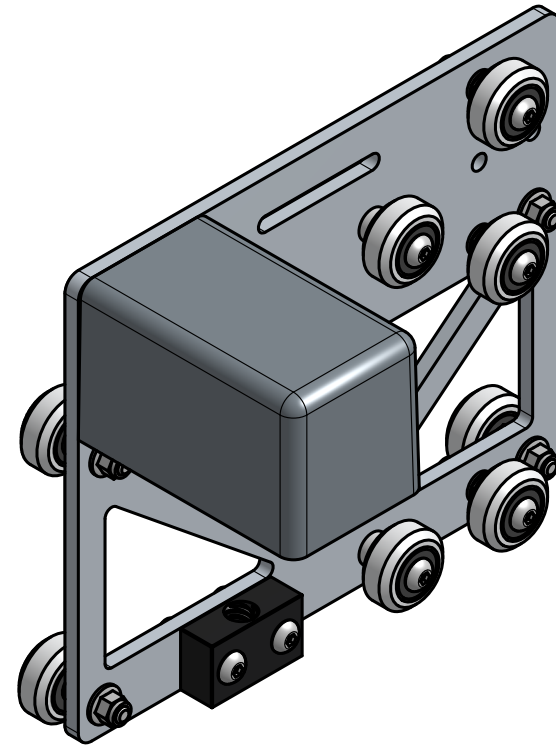
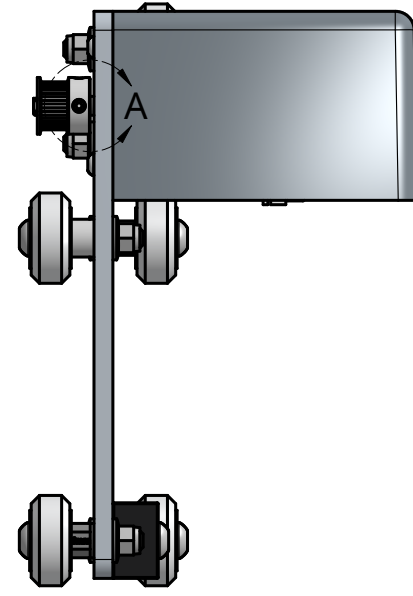
1 2 3 4 5 6 7 8 9 10

1 2 3 4 5 6 7 8 9 10

A B C D E F G H



A
2:1



Item	Internal Part Name	Rev	Quantity
1	Genesis Cross-Slide Plate	C	1
2	M5 x 30mm Screw		10
3	V-Wheel	A	10
4	Bearing - SS-625-2RS	A	20
5	M5 x 1mm Precision Shim	A	10
6	M5 x 6mm Spacer	A	5
7	M5 Flange Locknut		12
8	M5 x 6mm Eccentric Spacer	A	5
9	NEMA 17 Stepper Motor		1
10	GT2 Pulley (20 Tooth)	A	1
11	SS Setscrews w/ 2mm drive		2
12	Motor Housing - Horizontal, 75mm	A	1
13	M3 x 12mm Screw		4
14	Leadscrew Block	B	1
15	M5 x 25mm Screw		2

Pre-Assembled Cross-Slide Rev A

NOTES:

<small>DRAWN BY: Rory, 2023-08-09</small>	<small>PROJECTION: First Angle</small>		<small>SHEET: 3 of 3</small>
<small>COMPANY: FarmBot Inc</small>	<small>UNITS: Millimeters</small>		<small>SIZE: A3</small>
<small>LICENSE: CC0 Public Domain Dedication</small>	<small>SCALE: 1:2</small>		

1 2 3 4 5 6 7 8 9 10