

Pre-Assembled Genesis Electronics Box

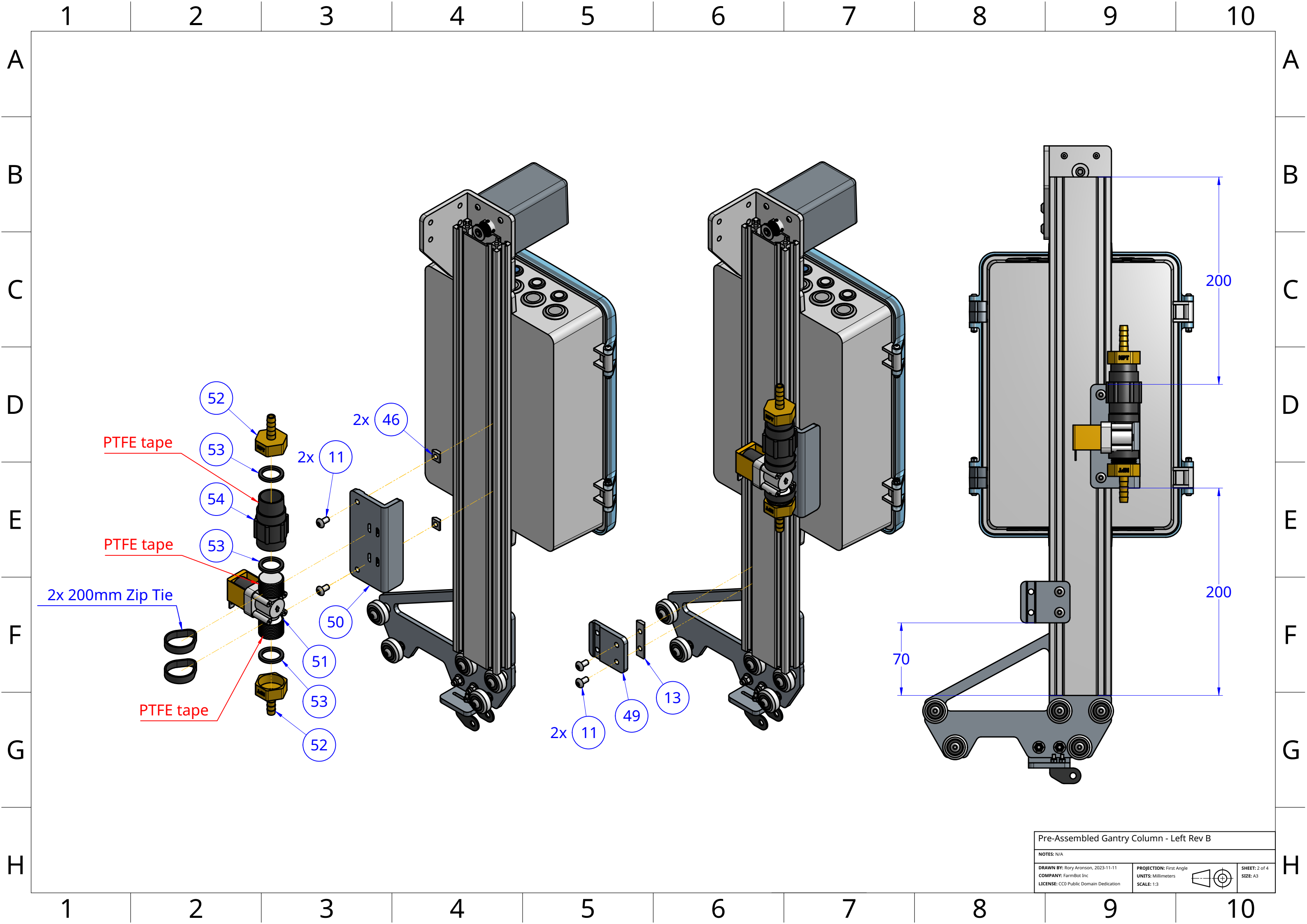
Use blue thread locker

Leave 1mm gap from Gantry Corner Bracket

Pre-Assembled Gantry Wheel Plate - Left

Pre-Assembled Gantry Column - Left Rev B

NOTES: N/A		PROJECTION: First Angle		SHEET: 1 of 4	
DRAWN BY: Rory Aronson, 2023-11-11		UNITS: Millimeters		SIZE: A3	
COMPANY: FarmBot Inc.		SCALE: 1:3			
LICENSE: CC0 Public Domain Dedication					



Pre-Assembled Gantry Column - Left Rev B		
NOTES: N/A		
DRAWN BY: Rory Aronson, 2023-11-11 COMPANY: FarmBot Inc. LICENSE: CC0 Public Domain Dedication	PROJECTION: First Angle UNITS: Millimeters SCALE: 1:3	 SHEET: 2 of 4 SIZE: A3

1 2 3 4 5 6 7 8 9 10

A

A

B

B

C

C

D

D

E

E

F

F

G

G

H

H

Route cables between electronics box and solenoid valve mount

Connect cables to motor and encoder

Connect to solenoid valve

Plug 61 into X1

Plug 62 into X1

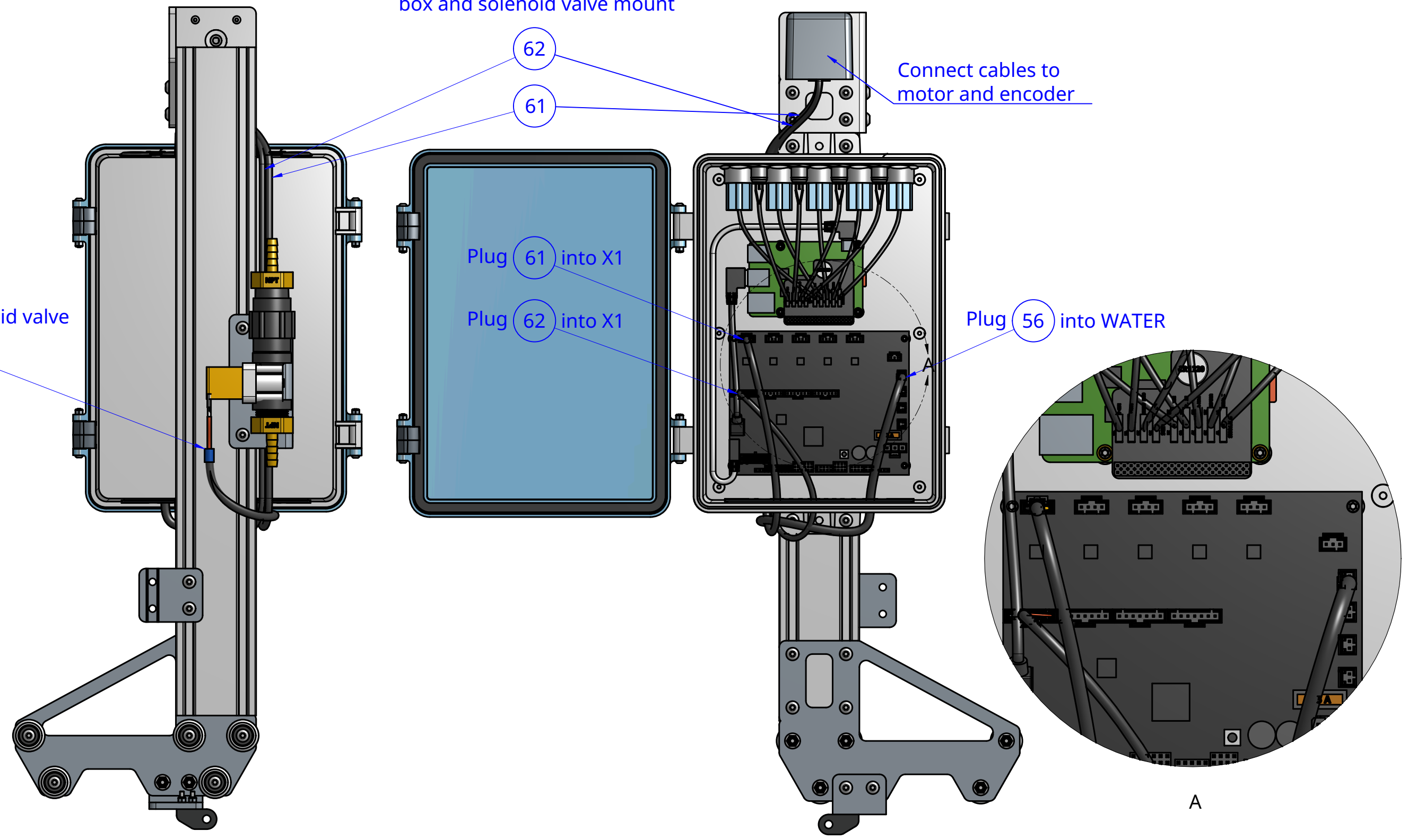
Plug 56 into WATER

56

62

61

56




1 2 3 4 5 6 7 8 9 10

	1	2	3	4	5	
A	Item	Internal Part Name			Rev	Quantity
	1	Gantry Column - 500mm			C	1
	2	Genesis Gantry Wheel Plate			C	1
	3	M5 x 30mm Screw				5
	4	V-Wheel			A	5
	5	Bearing - SS-625-2RS			A	10
B	6	M5 x 1mm Precision Shim			A	5
	7	M5 x 6mm Spacer			A	3
	8	M5 Flange Locknut				7
	9	M5 x 6mm Eccentric Spacer			A	2
	10	Nut Bar - 60mm			B	2
C	11	M5 x 10mm Screw				18
	12	Gantry Corner Bracket - Left			B	1
	13	Nut Bar - 40mm			A	4
	14	NEMA 17 Stepper Motor				1
	15	GT2 Pulley (20 Tooth)			A	1
	16	SS Setscrews w/ 2mm drive				2
D	17	Motor Housing - Horizontal, 75mm			A	1
	18	M3 x 12mm Screw				4
	19	Genesis Electronics Box (Box)			A	1
	20	Genesis Electronics Box (Lid)			A	1
	21	Genesis Electronics Box (Gasket)			A	1
E	22	M3 Locknut				6
	23	M3 x 35mm Screw				4
	24	Electronics Box (Latch)			A	2
	25	Genesis Electronics Box (Supergland Half)			A	2
	26	Farmduino v1.6			2.2A	1
F	27	Fuse - 7.5A				1
	28	Shunt - 1x2, 2.54mm				8
	29	M2.5 x 4mm Screw (2mm Hex Drive)				8
	30	Raspberry Pi 4B - 1GB				1

	6	7	8	9	10	
A	Item	Internal Part Name			Rev	Quantity
	31	Pi Adapter Board w/ RTC				1
	32	Battery - CR1220				1
	33	Micro SD Card - 8GB Sandisk Industrial				1
	34	Raspberry Pi Power Cable - Type-C			A	1
	35	Farmduino Data Cable			A	1
	36	Push Button - White				3
B	37	Push Button - O-Ring				5
	38	Push Button - Nut				5
	39	Push Button - Yellow				1
	40	Push Button - Red				1
	41	LED Indicator - White				2
	42	LED Indicator - O-Ring				4
	43	LED Indicator - Nut				4
	44	LED Indicator - Blue				1
	45	LED Indicator - Green				1
	46	Nut Bar - 10mm			A	6
D	47	Push Button - Wiring Harness				5
	48	LED Indicator - Wiring Harness				4
	49	Seed Trough Holder Mount Plate			A	1
	50	Solenoid Valve Mount			A	1
	51	Solenoid Valve - 24V, 3/4" NPT				1
E	52	NPT to Barb Adapter			A	2
	53	Rubber Gasket - 3/4"				3
	54	Pressure Regulator - 15 psi, 3/4" NPT				1
	55	Zip Tie - 200mm				2
	56	Solenoid Valve Cable - 0.5m (Genesis and Genesis XL)				1
	57	Cable Carrier Mount - X-Axis			A	1
F	58	M5 x 20mm Screw				2
	59	Cable Carrier End 2 JE10Q.1.16F				1
	60	M3 x 16mm Flat Head Screw				2
	61	Motor Cable - X1, 0.7m (Genesis and Genesis XL)			A	1
	62	Encoder Cable - X1, 0.7m (Genesis and Genesis XL)			A	1

	1	2	3	4	5	6	7	8	9	10
G										
H										

Pre-Assembled Gantry Column - Left Rev B			
NOTES: N/A			
DRAWN BY: Rory Aronson, 2023-11-11	PROJECTION: First Angle		SHEET: 4 of 4
COMPANY: FarmBot Inc	UNITS: Millimeters		SIZE: A3
LICENSE: CC0 Public Domain Dedication	SCALE:		