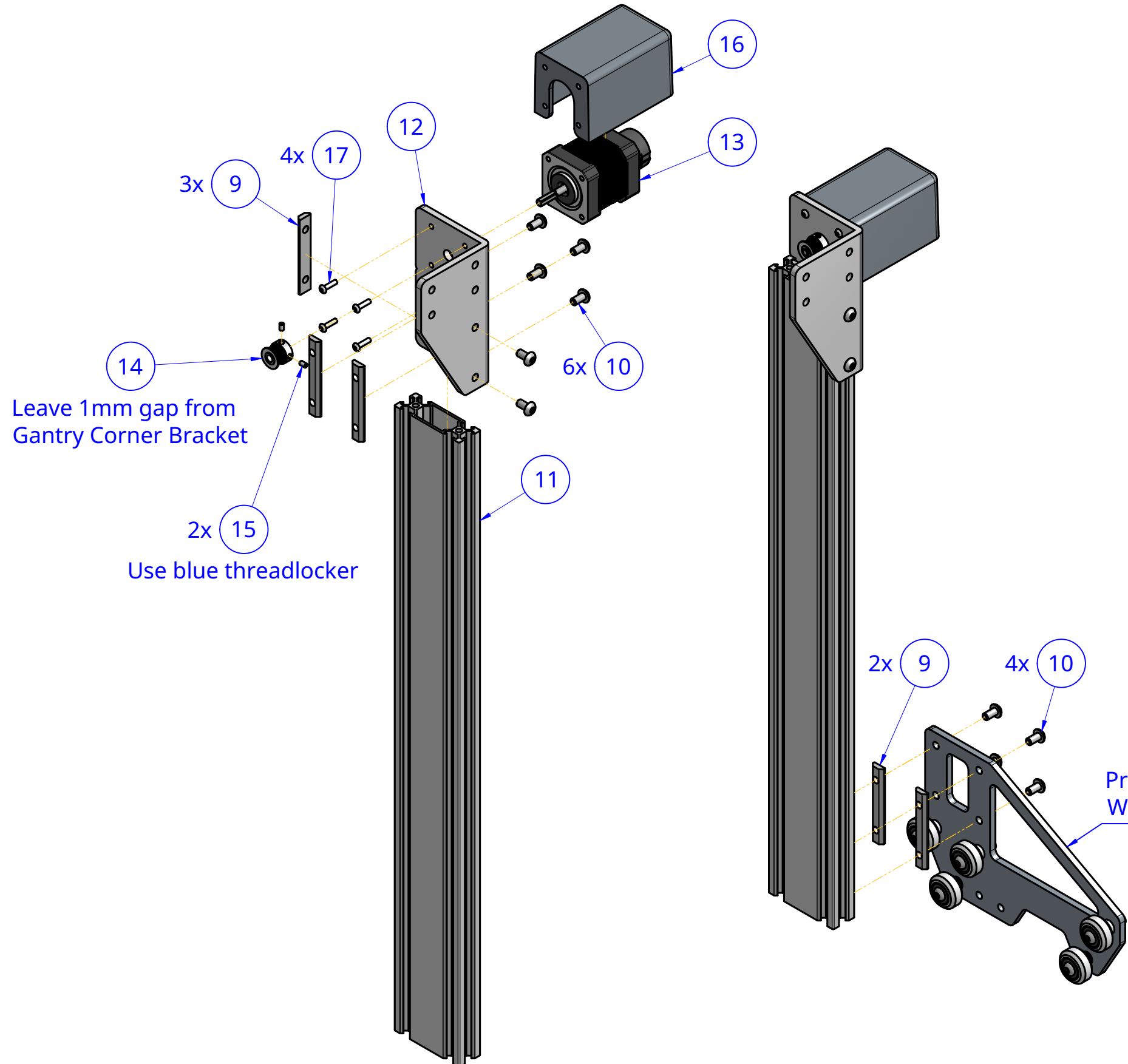
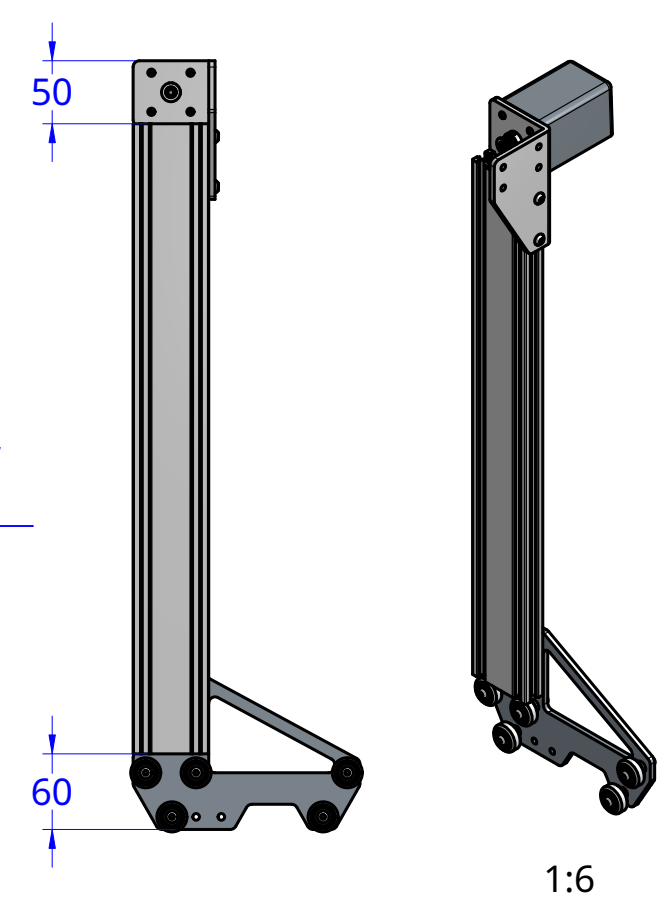
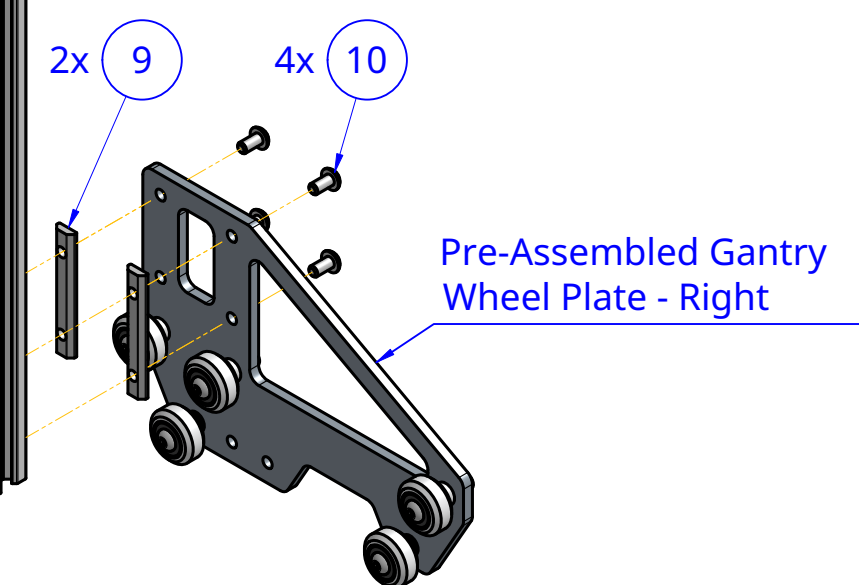


1 2 3 4 5 6 7 8 9 10

A B C D E F G H



Item	Internal Part Name	Rev	Quantity
1	Genesis Gantry Wheel Plate	C	1
2	M5 x 30mm Screw		5
3	V-Wheel	A	5
4	Bearing - SS-625-2RS	A	10
5	M5 x 1mm Precision Shim	A	5
6	M5 x 6mm Spacer	A	3
7	M5 Flange Locknut		5
8	M5 x 6mm Eccentric Spacer	A	2
9	Nut Bar - 60mm	B	5
10	M5 x 10mm Screw		10
11	Gantry Column - 500mm	C	1
12	Gantry Corner Bracket - Right	B	1
13	NEMA 17 Stepper Motor		1
14	GT2 Pulley (20 Tooth)	A	1
15	SS Setscrews w/ 2mm drive		2
16	Motor Housing - Horizontal, 75mm	A	1
17	M3 x 12mm Screw		4



Pre-Assembled Gantry Column - Right Rev A

NOTES: N/A

DRAWN BY: Rory Aronson, 2023-08-10
 COMPANY: FarmBot Inc.
 LICENSE: CC0 Public Domain Dedication

PROJECTION: First Angle
 UNITS: Millimeters
 SCALE: 1:3

SHEET: 1 of 1
 SIZE: A3

1 2 3 4 5 6 7 8 9 10