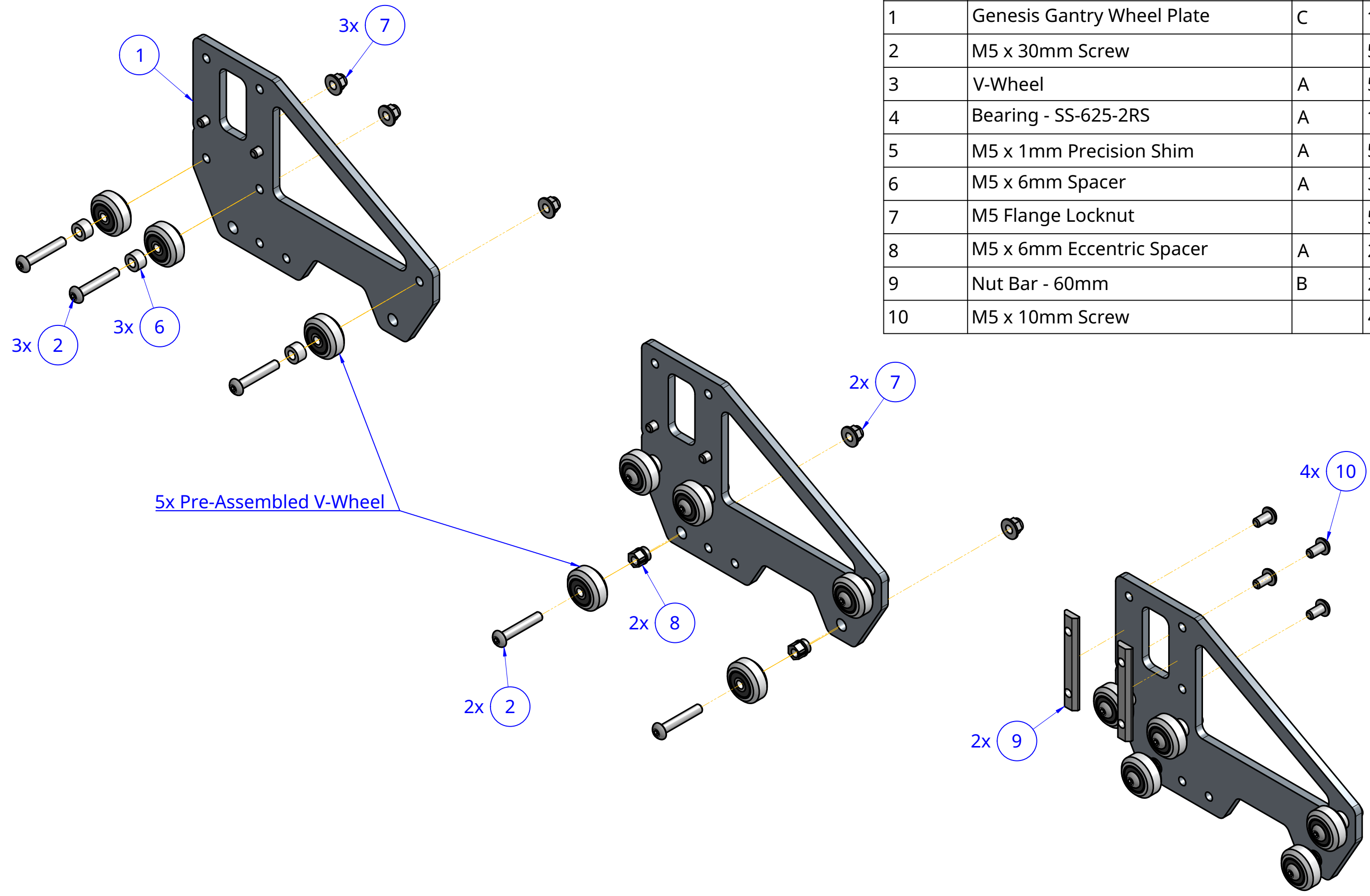


1 2 3 4 5 6 7 8 9 10

A B C D E F G H

A B C D E F G H



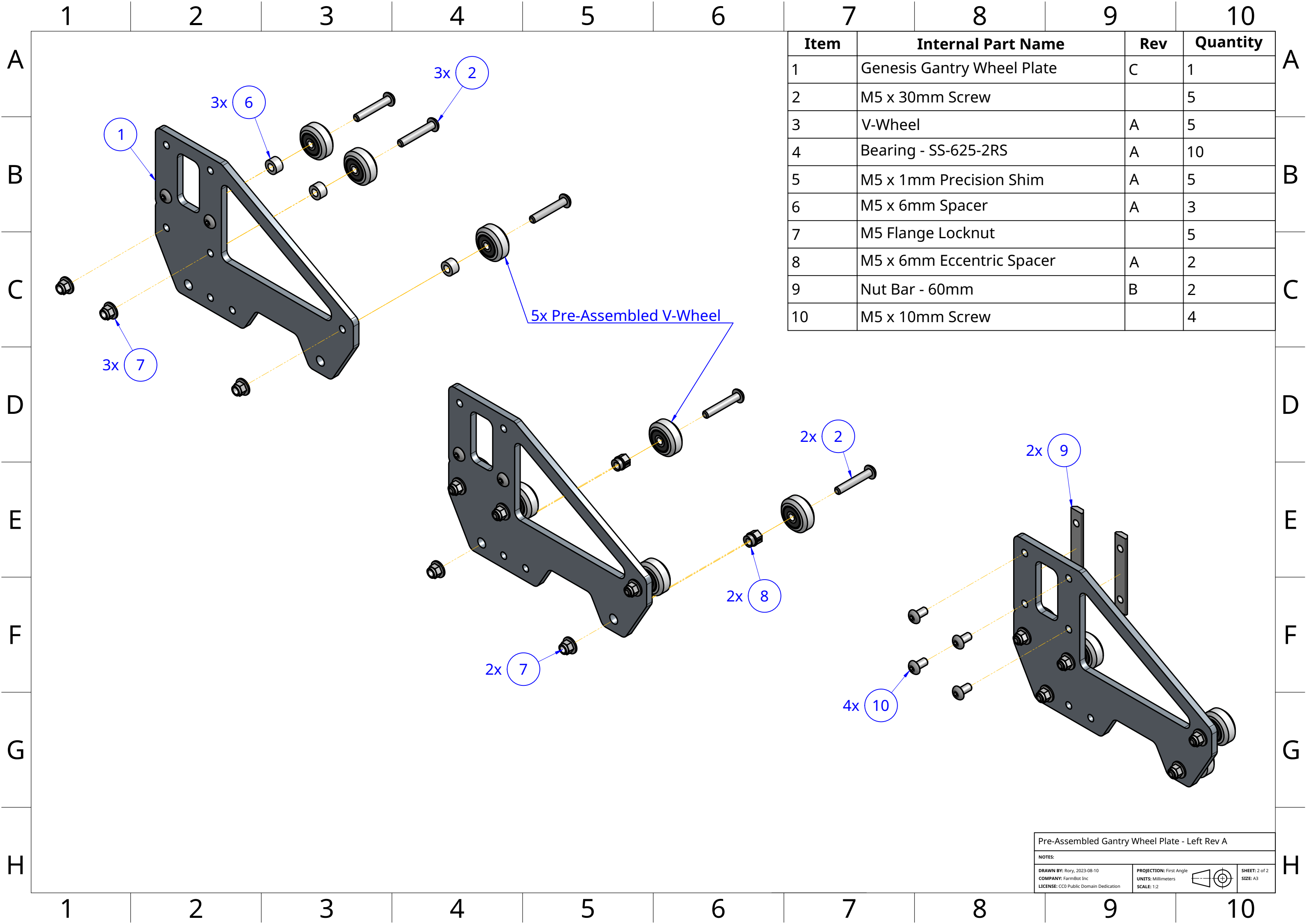
Item	Internal Part Name	Rev	Quantity
1	Genesis Gantry Wheel Plate	C	1
2	M5 x 30mm Screw		5
3	V-Wheel	A	5
4	Bearing - SS-625-2RS	A	10
5	M5 x 1mm Precision Shim	A	5
6	M5 x 6mm Spacer	A	3
7	M5 Flange Locknut		5
8	M5 x 6mm Eccentric Spacer	A	2
9	Nut Bar - 60mm	B	2
10	M5 x 10mm Screw		4

Pre-Assembled Gantry Wheel Plate - Right Rev A

NOTES:

<small>DRAWN BY: Rory, 2023-08-10</small>	<small>PROJECTION: First Angle</small>		<small>SHEET: 1 of 2</small>
<small>COMPANY: FarmBot Inc</small>	<small>UNITS: Millimeters</small>		<small>SIZE: A3</small>
<small>LICENSE: CC0 Public Domain Dedication</small>	<small>SCALE: 1:2</small>		

1 2 3 4 5 6 7 8 9 10



Item	Internal Part Name	Rev	Quantity
1	Genesis Gantry Wheel Plate	C	1
2	M5 x 30mm Screw		5
3	V-Wheel	A	5
4	Bearing - SS-625-2RS	A	10
5	M5 x 1mm Precision Shim	A	5
6	M5 x 6mm Spacer	A	3
7	M5 Flange Locknut		5
8	M5 x 6mm Eccentric Spacer	A	2
9	Nut Bar - 60mm	B	2
10	M5 x 10mm Screw		4

Pre-Assembled Gantry Wheel Plate - Left Rev A

NOTES:

<small>DRAWN BY: Rory, 2023-08-10</small>	<small>PROJECTION: First Angle</small>		<small>SHEET: 2 of 2</small>
<small>COMPANY: FarmBot Inc</small>	<small>UNITS: Millimeters</small>		<small>SIZE: A3</small>
<small>LICENSE: CC0 Public Domain Dedication</small>	<small>SCALE: 1:2</small>		