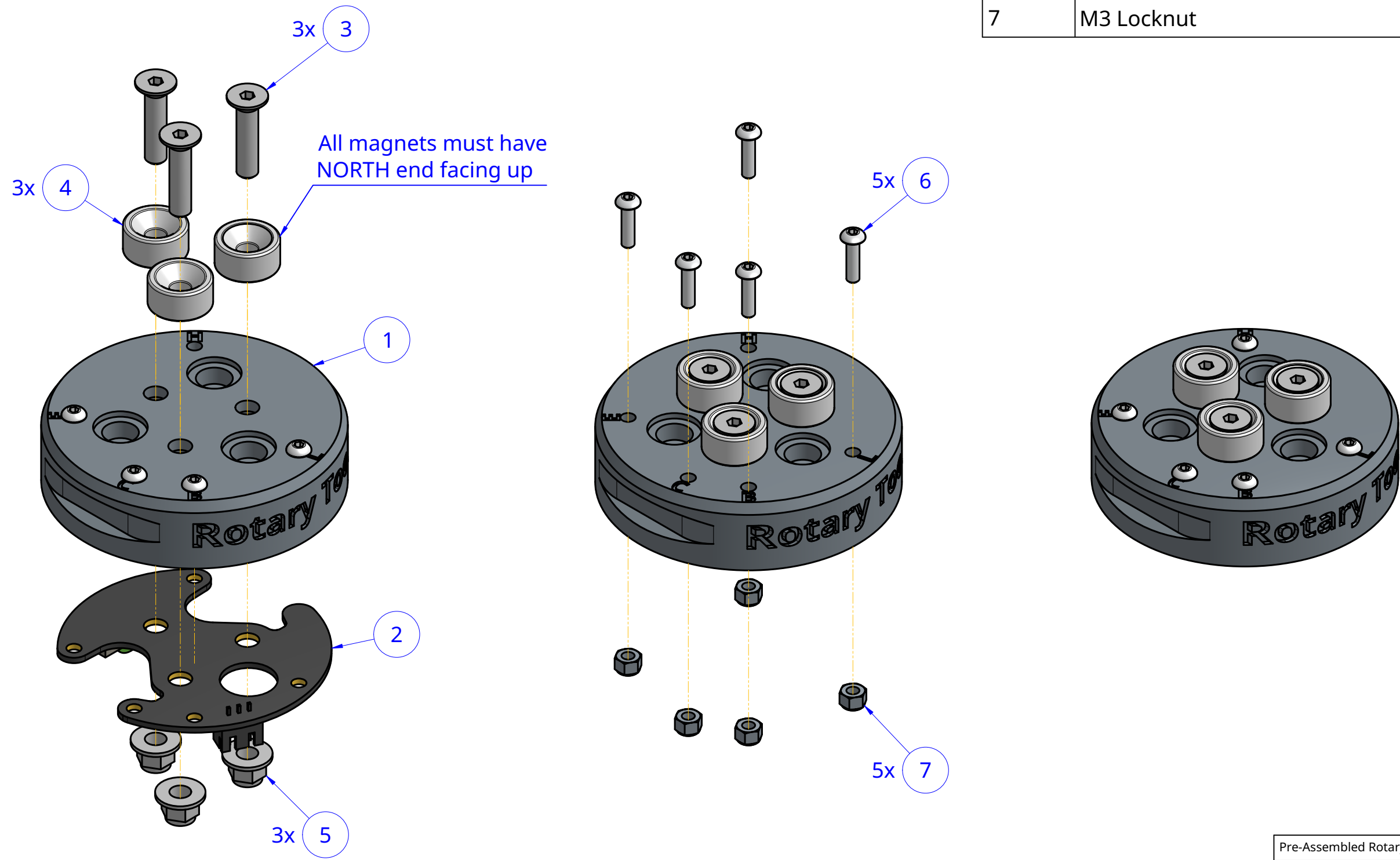


Item	Internal Part Name	Rev	Quantity
1	Rotary Tool Top	A	1
2	Rotary Tool PCB	G	1
3	M5 x 22mm Flat Head Screw		3
4	Countersunk Ring Magnet	A	3
5	M5 Flange Locknut		3
6	M3 x 12mm Screw		5
7	M3 Locknut		5

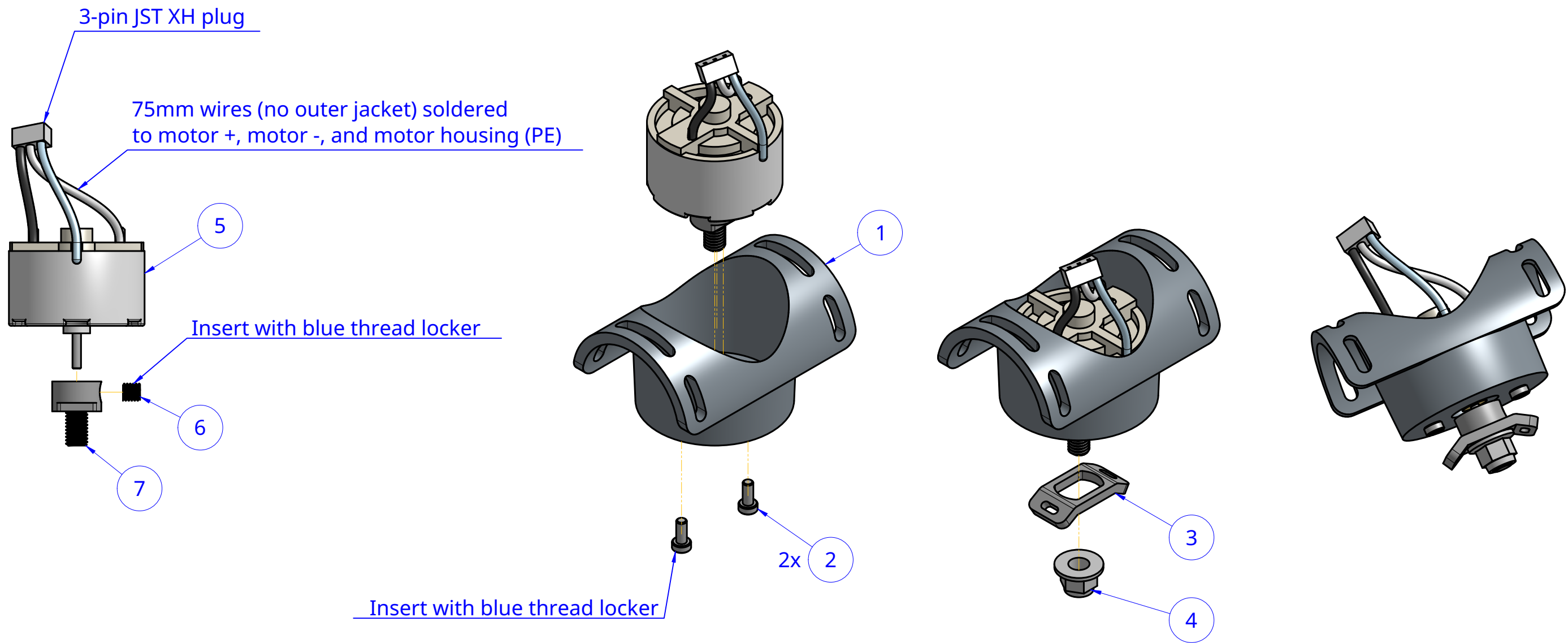


Pre-Assembled Rotary Tool Top Rev B

NOTES:

DRAWN BY: Rory, 2021-12-17	PROJECTION: First Angle		SHEET: 1 of 5
COMPANY: FarmBot Inc	UNITS: Millimeters		
LICENSE: CC0 Public Domain Dedication	SCALE: 1:1		

Item	Internal Part Name	Rev	Quantity
1	Rotary Tool Bottom	A	1
2	M2.5 x 6mm Screw (2mm Hex Drive)		2
3	Rotary Tool Trimmer Mount	C	1
4	M5 Flange Locknut		1
5	24V Rotary Tool Motor (500TB-12560)	A	1
6	M4 x 4mm Stainless Steel Setscrew w/ 2mm Hex Drive		1
7	Rotary Tool M5 Shaft Adapter	C	1



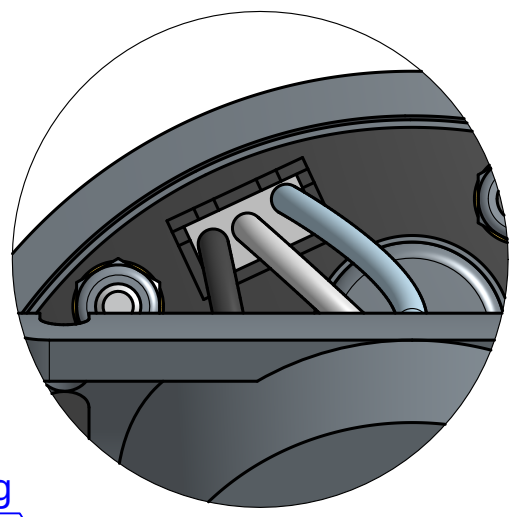
Pre-Assembled Rotary Tool Bottom Rev B			
NOTES:			
DRAWN BY: Rory, 2021-12-17	PROJECTION: First Angle		SHEET: 2 of 5
COMPANY: FarmBot Inc	UNITS: Millimeters		SIZE: A3
LICENSE: CC0 Public Domain Dedication	SCALE: 1:1		

1 2 3 4 5 6 7 8 9 10

Item	Internal Part Name	Rev	Quantity
1	Pre-Assembled Rotary Tool Top	B	1
2	Pre-Assembled Rotary Tool Bottom	B	1
3	M3 x 12mm Screw		2

A
B
C
D
E
F
G
H

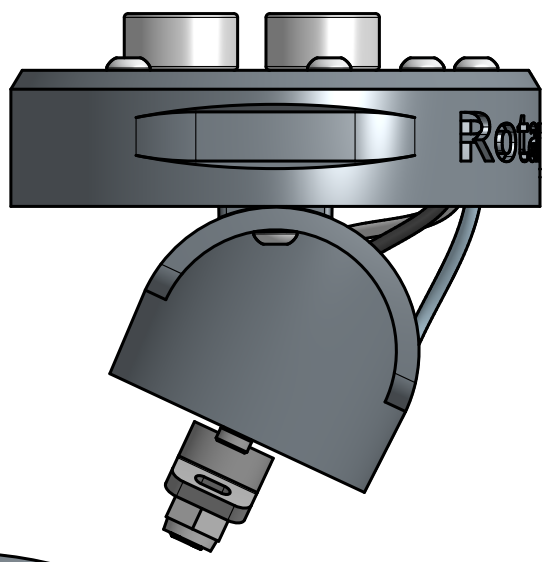
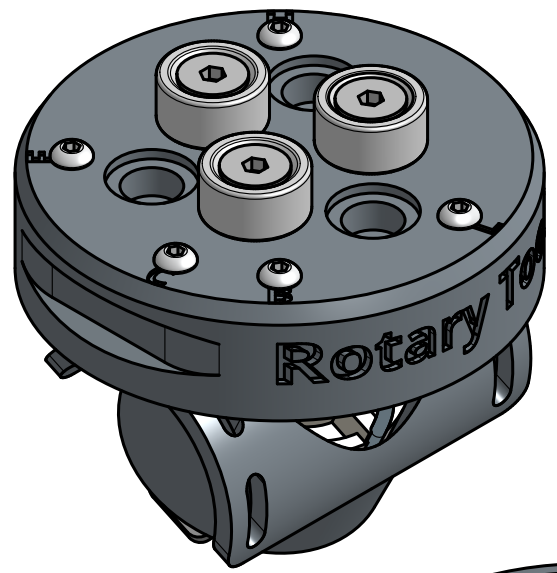
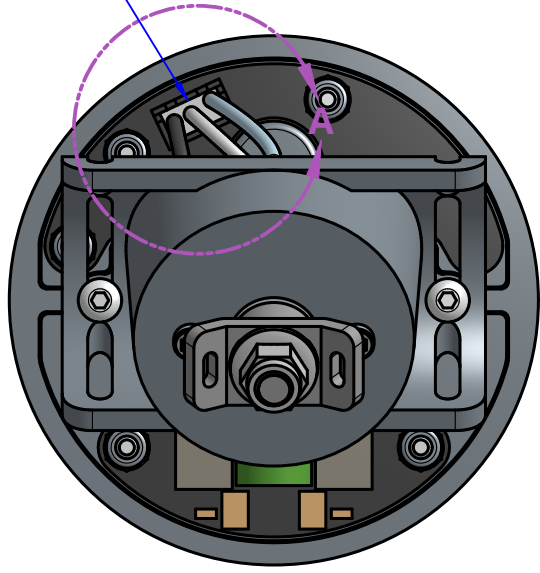
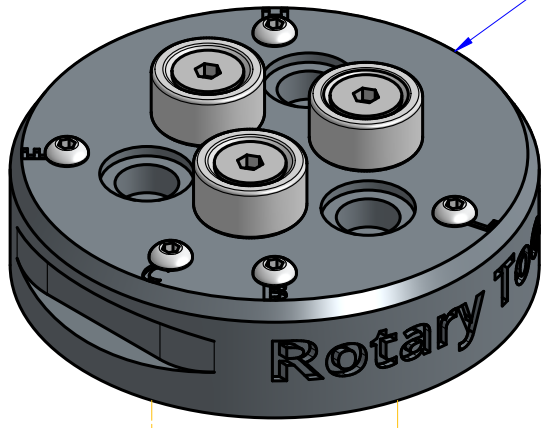
A
B
C
D
E
F
G
H



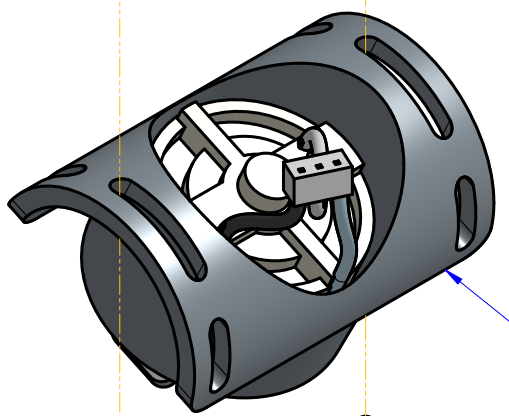
Connect JST XH plug

A

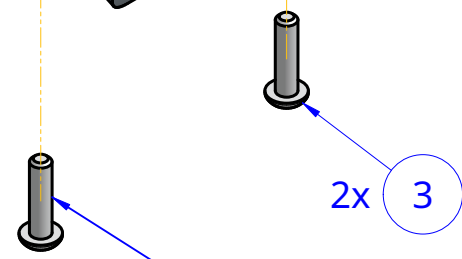
1



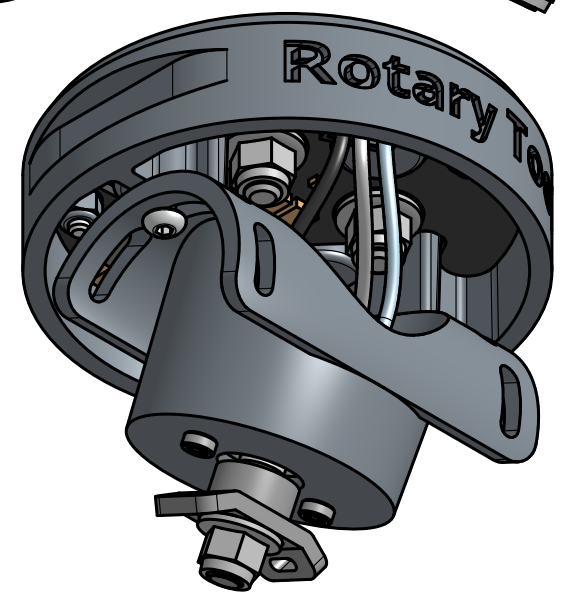
2



2x 3



Insert with blue thread locker



Pre-Assembled Rotary Tool Rev B

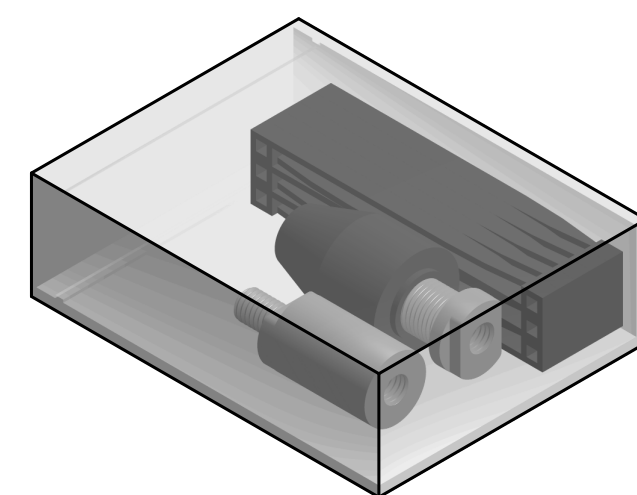
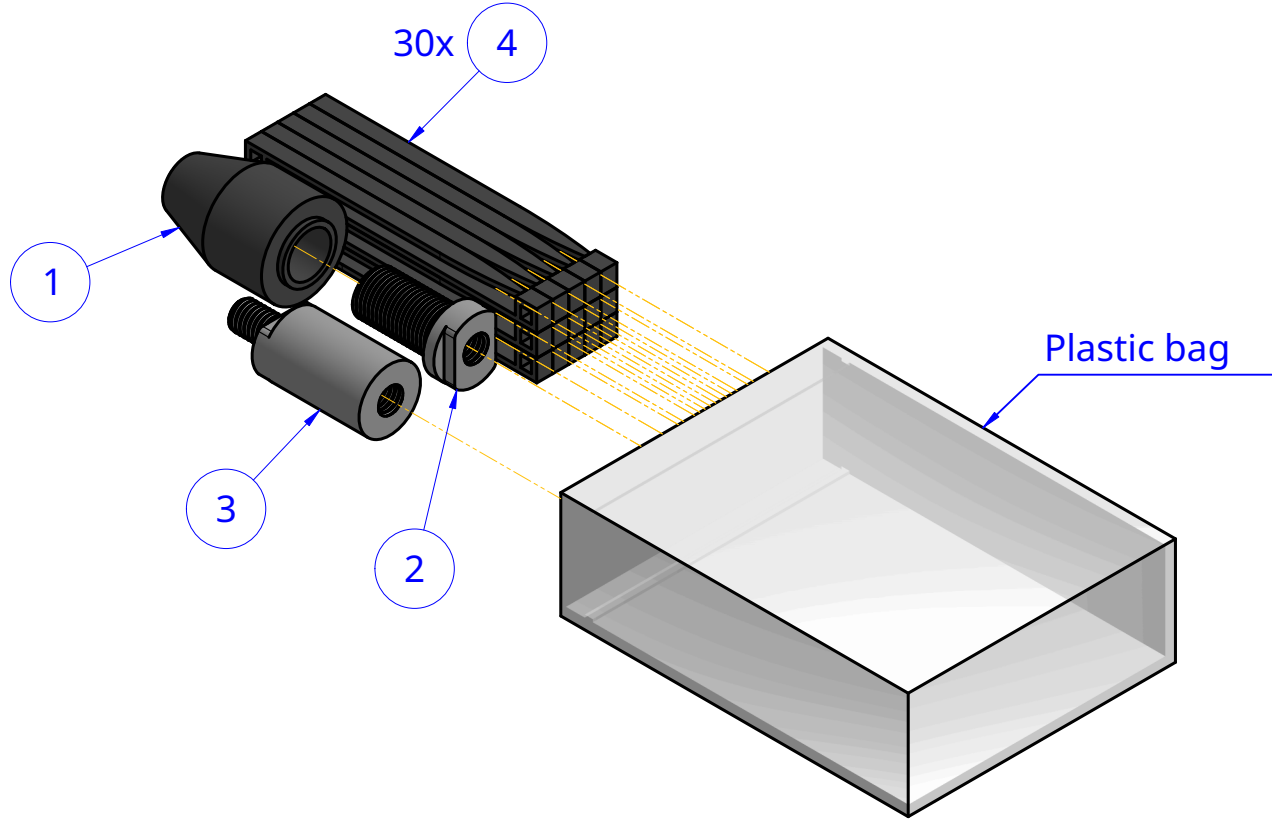
NOTES:			SHEET: 3 of 5 SIZE: A3
DRAWN BY: Rory, 2021-12-17	PROJECTION: First Angle		
COMPANY: FarmBot Inc	UNITS: Millimeters		
LICENSE: CC0 Public Domain Dedication	SCALE: 1:1		

1 2 3 4 5 6 7 8 9 10

1 2 3 4 5 6 7 8 9 10

A
B
C
D
E
F
G
H

Item	Internal Part Name	Rev	Quantity
1	Rotary Tool Chuck		1
2	Rotary Tool Chuck Adapter	B	1
3	Rotary Tool Shaft Extension	B	1
4	Rotary Tool Trimmer		30



Rotary Tool Accessory Bag Rev B

NOTES:

<small>DRAWN BY: Rory, 2021-12-17</small>	<small>PROJECTION: First Angle</small>		<small>SHEET: 4 of 5</small>
<small>COMPANY: FarmBot Inc</small>	<small>UNITS: Millimeters</small>		<small>SIZE: A3</small>
<small>LICENSE: CC0 Public Domain Dedication</small>	<small>SCALE: 1:1</small>		

1 2 3 4 5 6 7 8 9 10