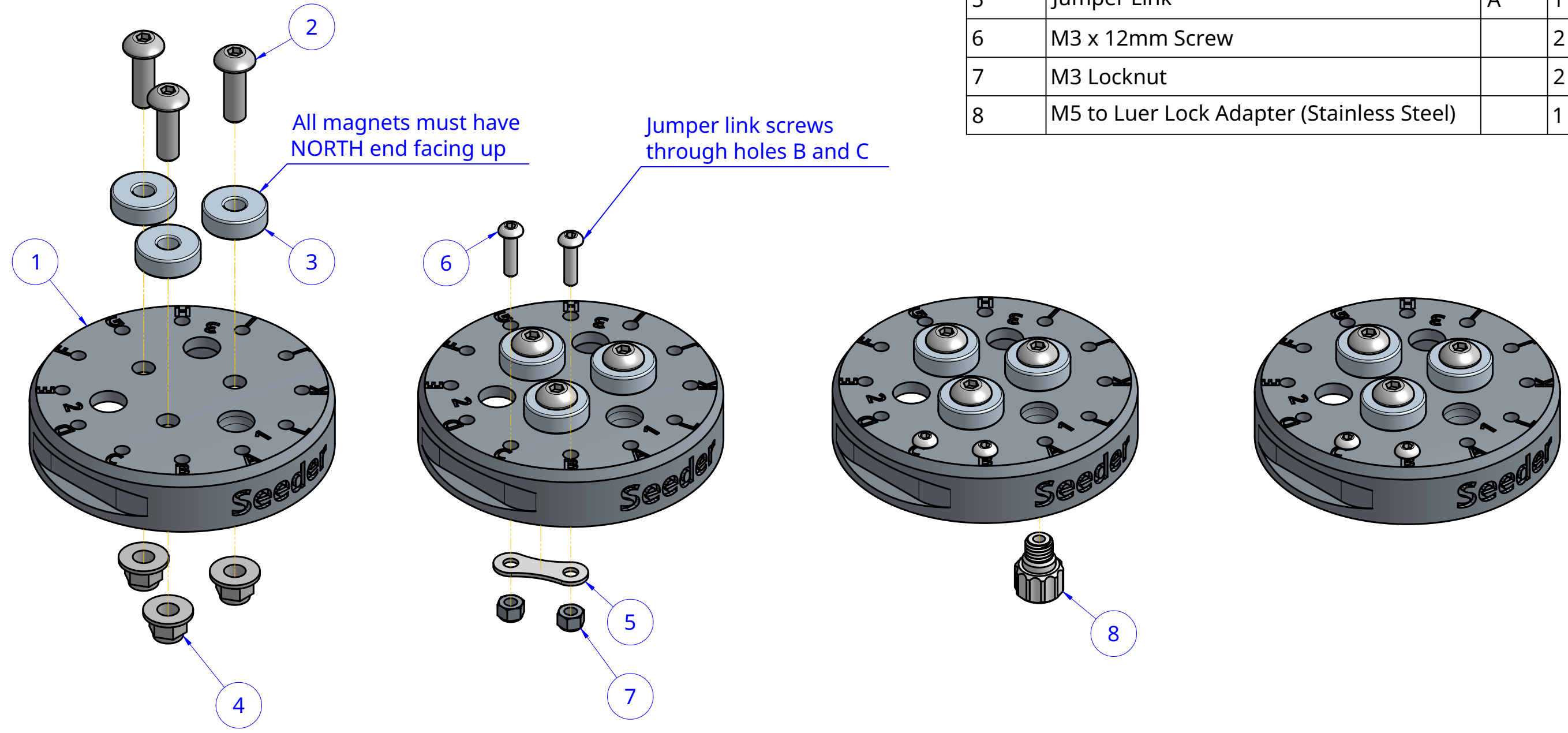


1 2 3 4 5 6 7 8 9 10

Item	Internal Part Name	Rev	Quantity
1	Seeder	B	1
2	M5 x 16mm Screw		3
3	15 x 5 x 5mm Ring Magnet		3
4	M5 Flange Locknut		3
5	Jumper Link	A	1
6	M3 x 12mm Screw		2
7	M3 Locknut		2
8	M5 to Luer Lock Adapter (Stainless Steel)		1



Pre-Assembled Seeder Rev A

MATERIAL:  
FINISH:  
NOTES:

DRAWN BY: Rory, 2021-07-13  
COMPANY: FarmBot Inc  
LICENSE: CC0 Public Domain Dedication

PROJECTION: First Angle  
UNITS: Millimeters  
SCALE: 1:1

SHEET: 1 of 2  
SIZE: A3

1 2 3 4 5 6 7 8 9 10