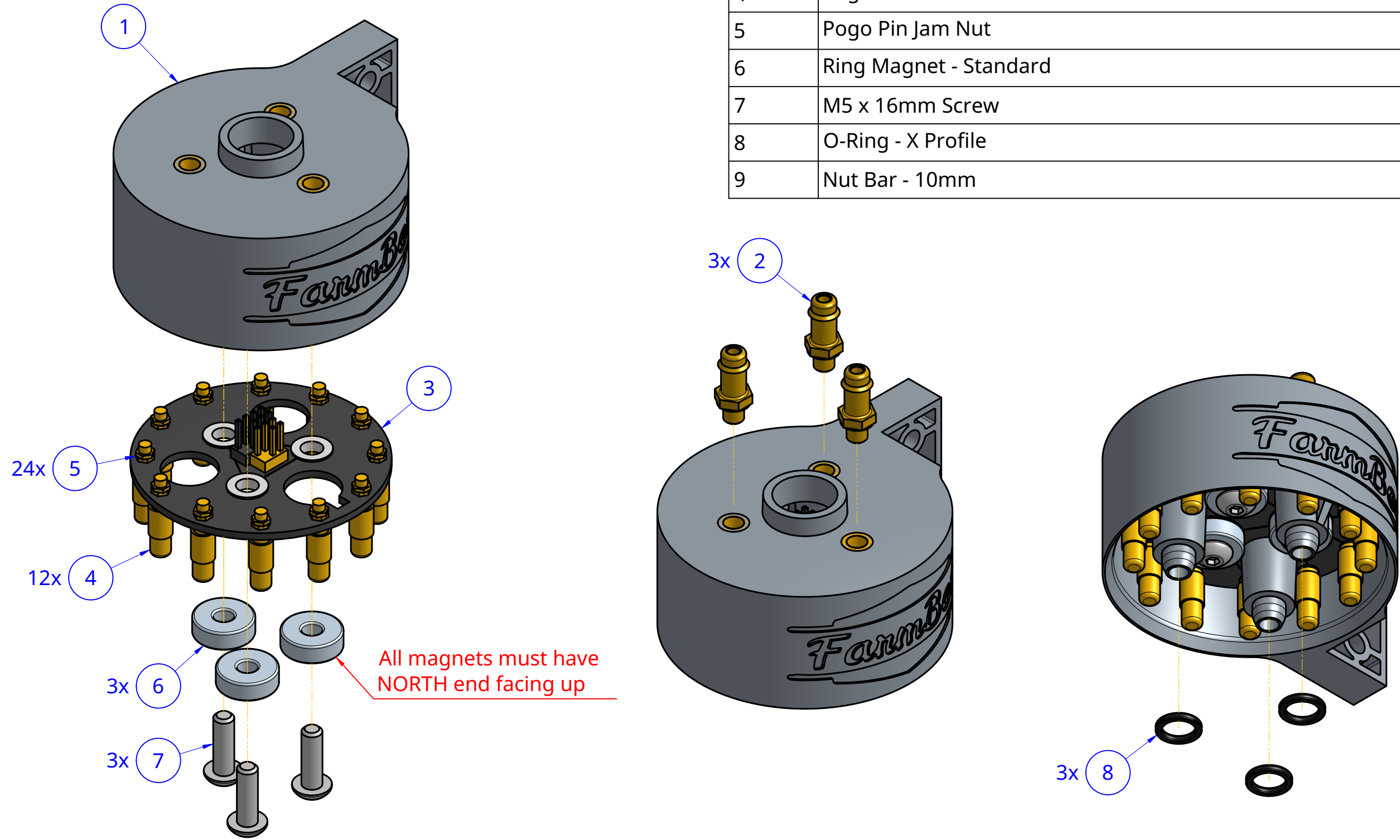


Item	Internal Part Name	Rev	Quantity
1	UTM	B	1
2	M5 Barb	A	3
3	UTM PCB	A	1
4	Pogo Pin		12
5	Pogo Pin Jam Nut		24
6	Ring Magnet - Standard	A	3
7	M5 x 16mm Screw		5
8	O-Ring - X Profile		3
9	Nut Bar - 10mm	A	2



Pre-Assembled UTM Rev A

NOTES:

DRAWN BY: Rory, 2023-08-16  
 COMPANY: FarmBot Inc  
 LICENSE: CC0 Public Domain Dedication

PROJECTION: First Angle  
 UNITS: Millimeters  
 SCALE: 1:1

SHEET: 1 of 2  
 SIZE: A3